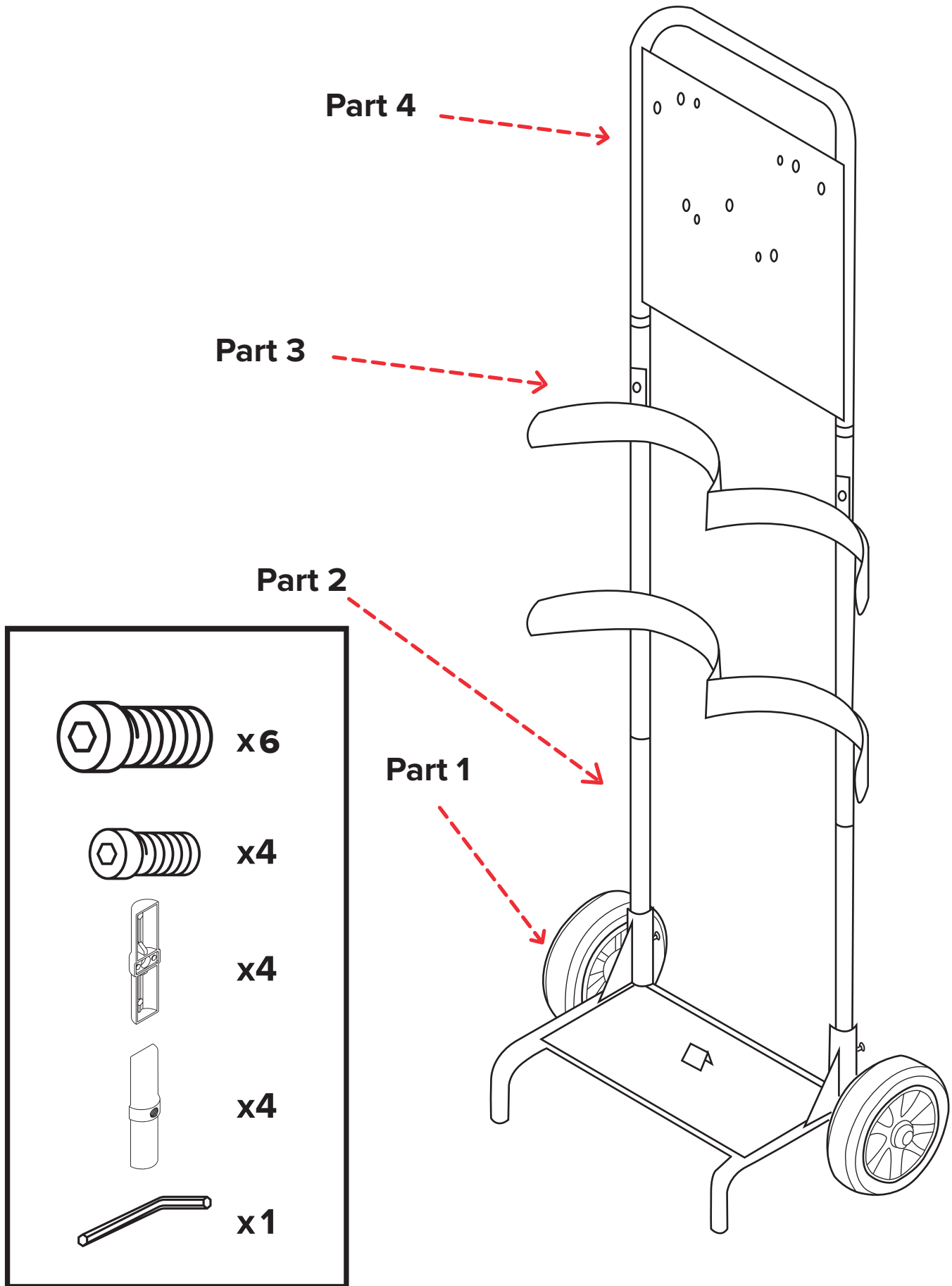
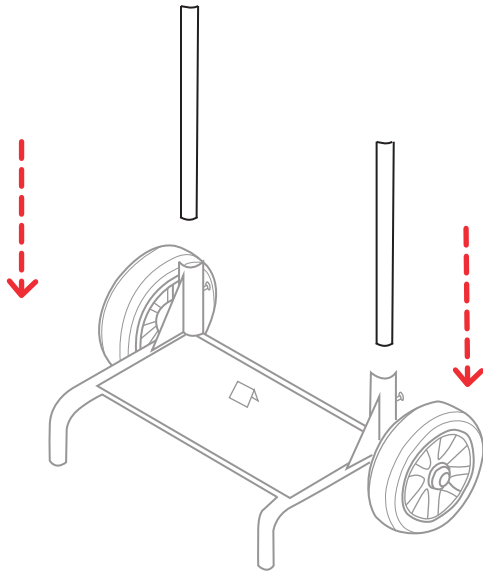


CON-STD-02

Assembly Guide

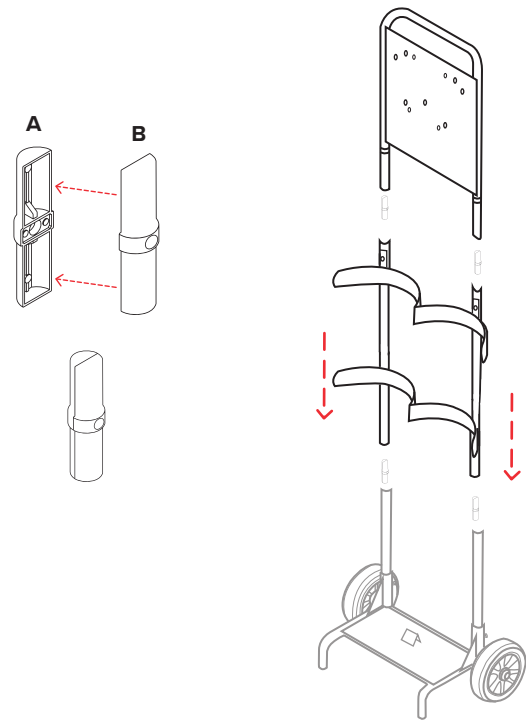


Assemble Lower Section



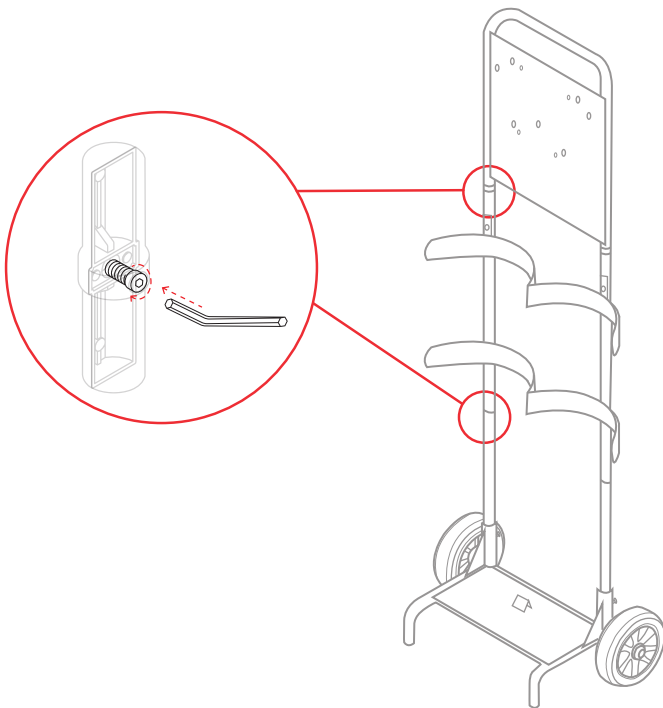
1. Slot the legs of **Part 2** into the short pipes of **Part 1**.
2. Once in position, tighten the screws provided.

Assemble Sections



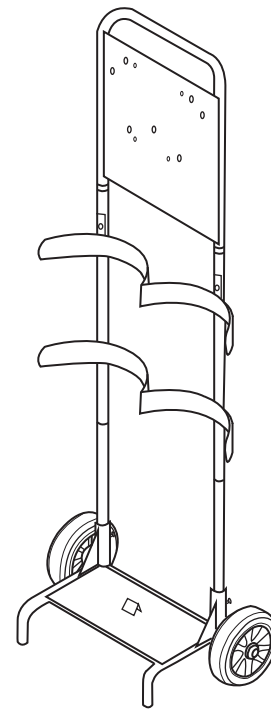
3. Take **Part A** and **Part B** and together, place them into each side of **Part 2**.
4. Repeat this when adding **Part 4**.

Secure Sections



5. Once all parts are in position, tighten all expanders (**A+B**) with an allen key to secure the complete frame.

Ancillary Placement



6. Pre-drilled holes in plate for fire alarm installation. Bottom plate for the positioning of a fire bucket.